

NYTRO
PERFORMANCE REFINED



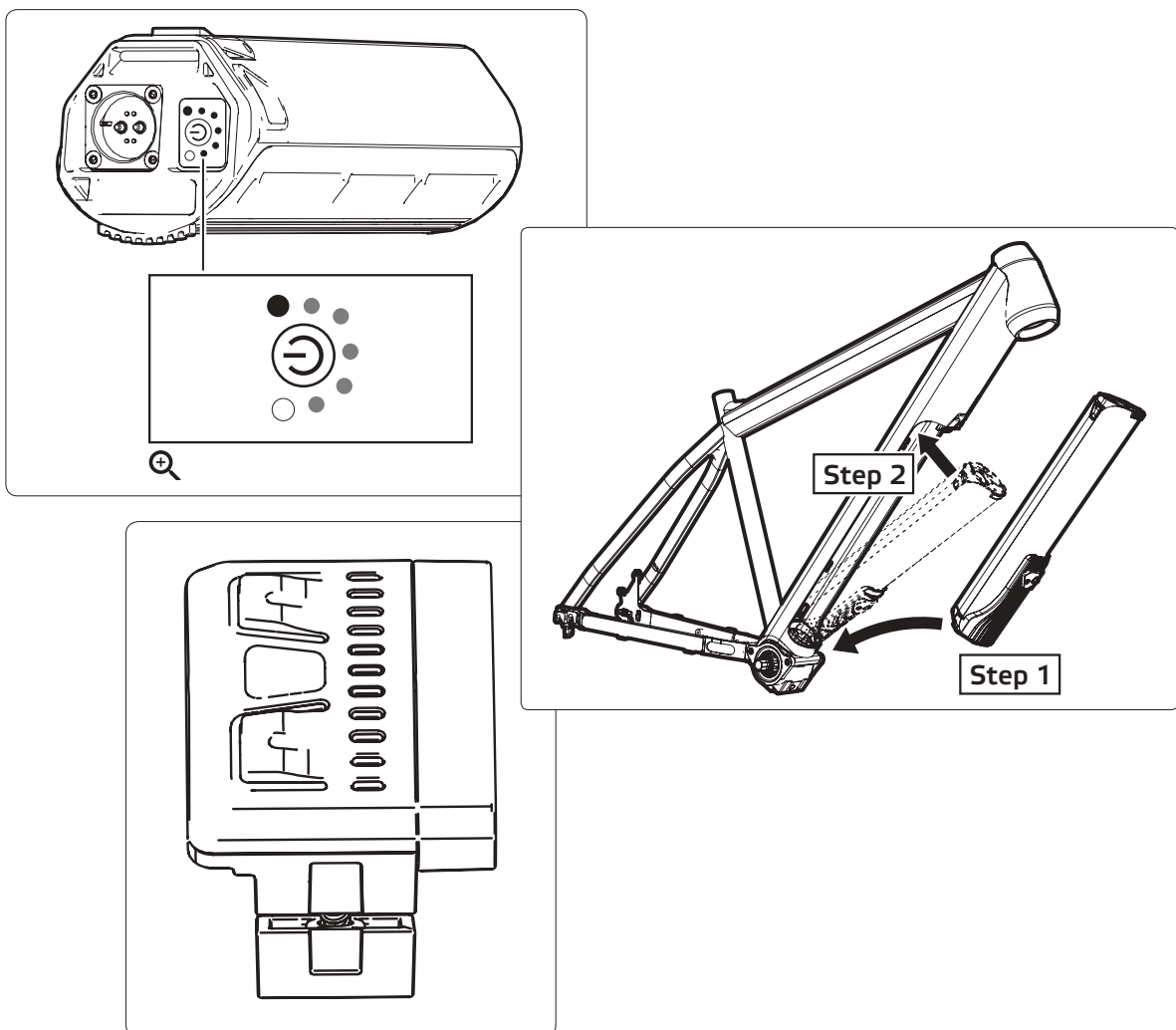
QUICK GUIDE

INDEX

1. SWITCHING EBIKE SYSTEM ON/OFF	3
2. SETTING THE SUPPORT LEVEL	4
3. SWITCHING THE WALK-ASSISTANCE MODE ON/OFF	4
4. STATE-OF-CHARGE AND SUPPORT LEVEL BAR	5
5. CHARGING THE BATTERY PACK	6
6. INSERTING THE BATTERY PACK	7
7. MOUNTING AND DISMOUNTING THE DRIVE PACK IN THE EBIKE	8

1. SWITCHING EBIKE SYSTEM ON/OFF

Once the Drive pack is mounted on the eBike, press the on/off button the button on the battery.



The system can be switched on by pressing any of the Remote buttons.

For switching off the system there are two options:

1. Press and hold the middle button of the Remote for 2 s.
2. Unmount the Drive pack from the eBike and switch off the Battery Pack by pressing the on/off button for 2 s.




2. SETTING THE SUPPORT LEVEL

You can set on the Remote to what extent should the eBike system support you when pedalling.

The support level can be set at any time, even while riding.

To switch the support level, you must press the up/down buttons on the Remote.

The following support levels are available:

Support Level	Color	Max. Support factor	Max. Power
No Support	 White	0 %	0 W
Breeze	 Green	75 %	125 W
River	 Blue	150 %	250 W
Rocket	 Pink	240 %	400 W

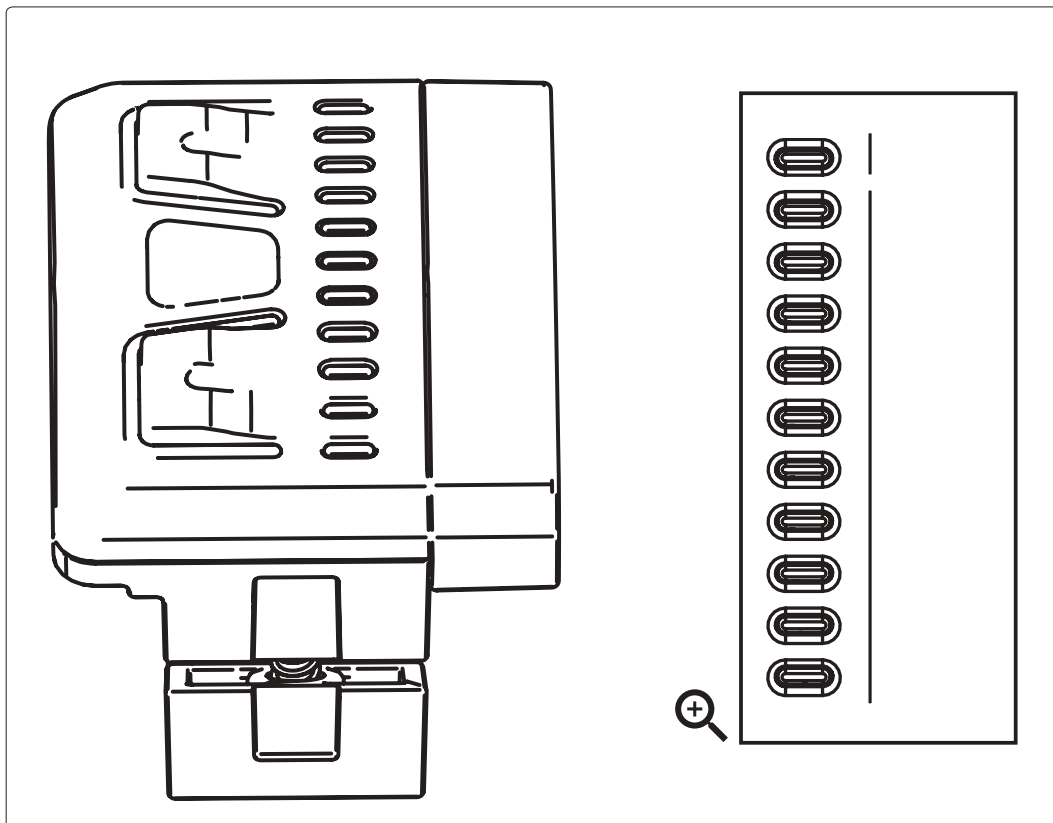
3. SWITCHING THE WALK-ASSISTANCE MODE ON/OFF

To activate the Walk-assistance mode:

- Set your system to “No Support” mode on the Remote (See section Setting the Support Level).
- Then, press and hold the down button on the Remote.
- After 2 s the Walk-assistance mode switches on.

4. STATE-OF-CHARGE AND SUPPORT LEVEL BAR

The state of charge/support level bar shows 2 parameters:



State-of-charge of your Battery Pack:

indicated by the number of LEDs that are lit.

When fully charge at the Battery Pack, all 10 LEDs are lit.

Every LED meant 10% battery status.

However, if Battery Pack is empty, then no LEDs will light up.

Selected support level of your eBike:

indicated by the shining colour of the LEDs

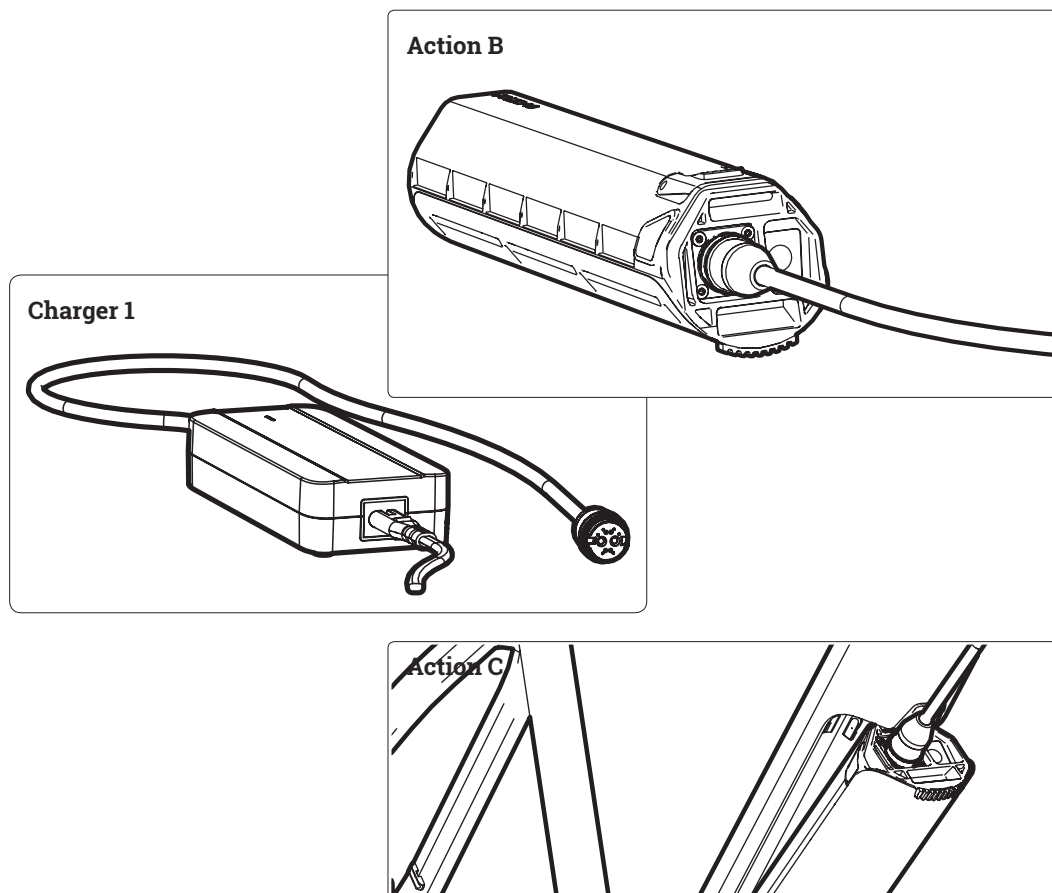
5. CHARGING THE BATTERY PACK

The Battery Pack can be recharged at any time on its own, within a Drive pack, or within your eBike.

Interrupting the charging process at any moment is also possible.

- Connect the power plug of the power cord to the power socket of the Charger.
- Then connect the mains plug to the mains supply.
- Finally, connect the charge connector into the charge plug of your Battery Pack.
- Once the Battery Pack is fully charged, the LEDs at the charge-control indicator turn off.

The state-of-charge can now be checked by briefly pressing the on/off button on your Battery Pack.

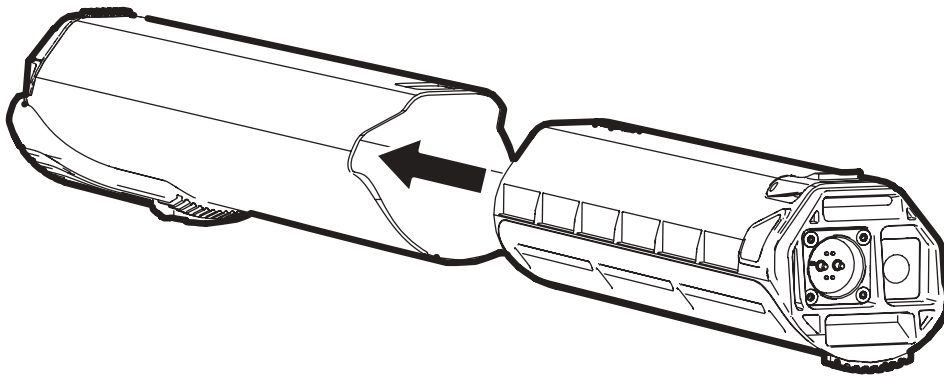


6. INSERTING THE BATTERY PACK

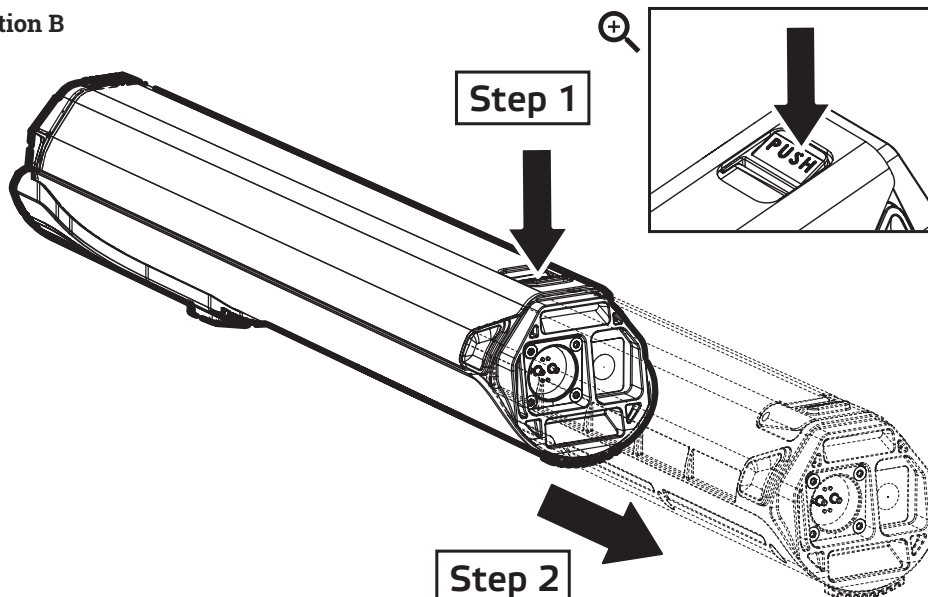
To insert the Battery Pack into the Drive pack, hold the Drive pack in one hand and Battery Pack in the other hand. Make sure the connector to the Drive pack is facing the battery slot. Bring the two together and gently let the Battery Pack slip into the battery slot of the Drive pack.

Once the Battery Pack is completely inserted, the fastening lid will automatically lock the Battery Pack.

Action A



Action B

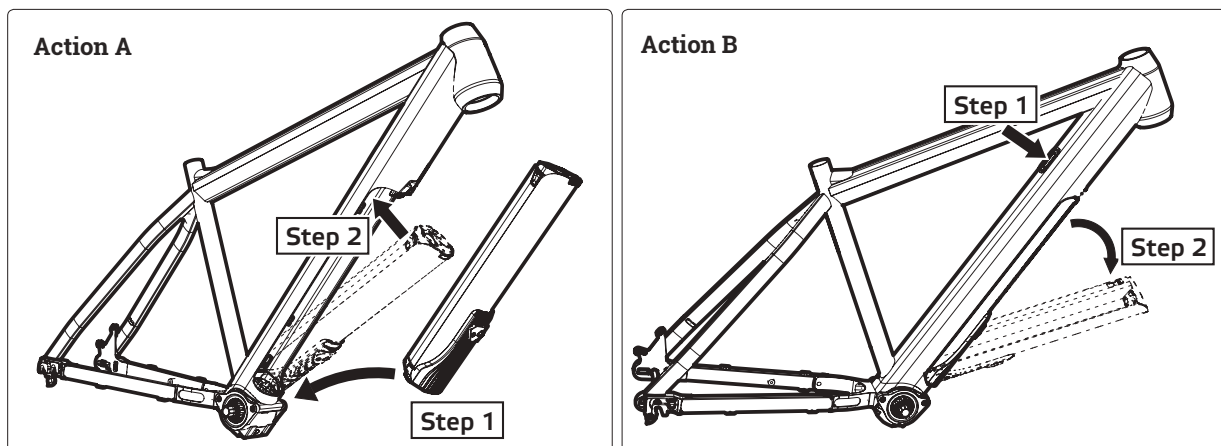


7. MOUNTING AND DISMOUNTING THE DRIVE PACK IN THE EBIKE

After inserting the Battery Pack in the Drive pack, lay the interface to Bottom Bracket over the open interface to Drive pack right underneath your eBike downtube.

Now bring the upper part of the Drive pack inside the downtube until the fastening hook hooks in.

Make sure the Drive pack is tightly anchored within the downtube and does not come out.



To Dismount the Drive pack, Hold the mounted Drive pack with one hand and press the release button with the other hand.

You can now remove the Drive pack easily.

Important!

Make sure that you are holding your Drive pack when dismounting it, otherwise the Drive pack may fall freely from the frame.

Note:

Sometimes pushing up the Drive pack against the frame before pressing the release button may result in a smoother dismounting.

NYTIRØ
PERFORMANCE REFINED



Cicli Pinarello SRL
Viale della Repubblica 12
31020 Villorba (TV) Italy
tel. +39 0422 42 08 77 fax +39 0422 42 18 16
infobike@pinarello.com
www.pinarello.com

2017 - Copyright © Cicli Pinarello SRL - C.F. e P.I. 05994100963